

Glass Slings

Model: SL-5000

PST glass pack slings are designed to ensure the secure lifting of glass packs. They are used with the PST Spreader Bar System Model: LE-SB5000.

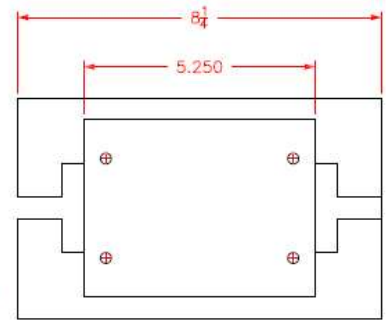
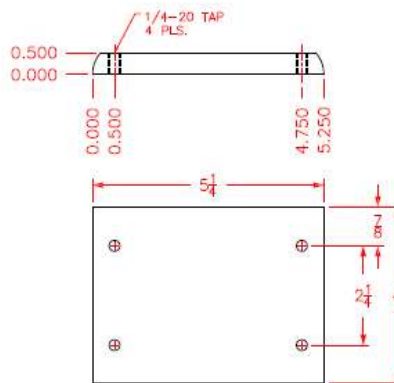
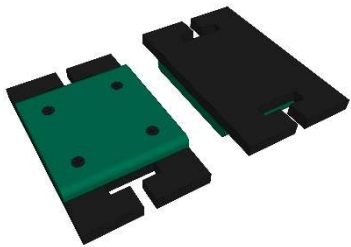
Design Features:

- Made from polyester for flexibility and ease of handling
- 5000 lbs working capacity
- 24" leather wear pads along bottom length for extra durability and protection
- Ideal for handling and transporting glass packs safely
- Resistant to wear and tear due to reinforced leather pads
- Customizable length to meet specific requirements
- Meets industry standards and regulations for lifting slings



Optional Sling Blocks:

Optional steel sling blocks for additional support and strength, featuring a rubber top layer to provide cushioning for glass protection. This combination ensures both structural support and safeguarding against scratches or damage. The pads mount to the bottom section of the sling, over the leather wear pads, by threading the polyester material through cut-outs in the sling blocks, ensuring a secure and stable fit.



½" x 4" x 5-1/4" H.R. SLING BLOCK PLATE (HRS)

Model	GLASS SLINGS & BLOCKS	
	Description	Price
SL-5000	5000 LB Glass Slings / Pair	1900.00
SL-BLK	Sling Blocks / Pair	390.00